

The Versatile P.O.S. 10.4" TFT LCD Color Monitor



Brilliant Black and OA White
Two Colors Optional



Add-on Base
Swivel 56° from Left to Right



VESA Wall Mounting
Meet VESA Standard (75x75mm)
With Mounting Plate Specification.

Compact Design
Super Slim 33mm Depth,
1.1 kg With Base



"i-touch" Auto Adjustment
The Intelligent One Touch Key,
Automatically Set Your Monitor to Optimal Position.

Features:

- ce Full 10" Viewable Display
Crisp Image
- ce On Screen Display Easy
to Use
- ce Auto Scaling Function Simply
" i-touch "
- ce Base Wall Mountable With
Tilt 90° Adjustment
- ce Ideal for POS/Kiosk Users and
Windows Application
- ce Power Consumption
18W/2.5W DPMS
- ce Lightest Weight 1.1kg/0.8kg
Without Base
- ce Super Slim Space Saving
33mm/10mm Depth
- ce State-of-the-Art Design
- ce Touch Version
Availability
- ce Anti-Reflection
Strengthen Glass
Availability



QUALITY SYSTEM
REGISTERED TO
ISO 9001: 2000



SINCE 1983

The Versatile P.O.S. 10.4" TFT LCD Color Monitor



Tilt Base (0°~90°)
Tilt Function 0°~90° is Designed for Different Viewing Angles of Various Applications.

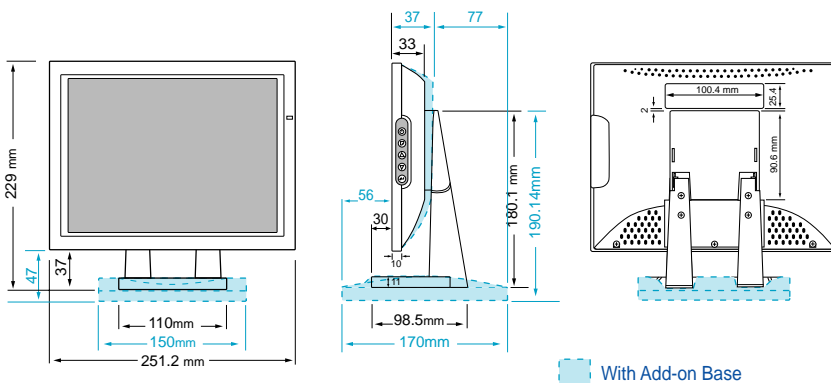


Mounting Base

With a Simple Device, The Base Can be Fixed on Platform Such as Desktop, POS Machine or Wall.

MODEL		LP-10Rxx
Panel	Viewing Area	10.4"
	Resolution	800 x 600 SVGA
	Color	262,144
	Viewing Angle	Horizontal: 90° & Vertical: 55°
	Response Time Tr/Tf	15/25 ms
	Contrast Ratio	180 : 1
	Brightness	160 cd/m ²
Video Input	VGA Signal	R/G/B Analog VGA
	Scan Frequencies	H: 31 ~ 48 KHz
		V: 56 ~ 72 Hz
Control	Power	On / Off with LED Indicator
	OSD	OSD Control with "i-touch" auto scaling
Power Adaptor	Input	Universal AC 100 ~ 240 V, 50 / 60 Hz
	Output	DC +12 V
Power	Management	VESA DPMS Standard
	Consumption	18W / 2.5W
Environment	Temperature	0°C ~ 40°C
	Humidity	10% ~ 85%
Safety & EMI		FCC, UL, CE, TÜV / GS, CCC
Applications		POS, Banking, ATM, IPC, TML, Web IA, Mini PC, ...etc
Optional		
	Touch Panel	Chiling Resistive (4 Wires)
	Glass	Anti-Reflection Strengthen Glass
	Cabinet Color	White or Black

Specification is subject to change without notice.



With Add-on Base

Optional



Touch Screen



Anti-Reflection Strengthen Glass



Add-on Base
Model No: LP-10ABW (White)
LP-10ABB (Black)